

# Rittal – The System.

Faster – better – everywhere.

## Digital Brochure

ENCLOSURES

POWER DISTRIBUTION

CLIMATE CONTROL

IT INFRASTRUCTURE

SOFTWARE & SERVICES

FRIEDHELM LOH GROUP

[www.rittal.ca](http://www.rittal.ca)



# Rittal – The System.

Faster – better – everywhere.



# Cooling Units

## Thermoelectric Cooler

Thermoelectric Cooler.....	341 BTU.....	262
----------------------------	--------------	-----

## Wall-Mounted Cooling Units

TopTherm, Horizontal Format .....	1024 BTU.....	263
TopTherm.....	1024 BTU.....	264
TopTherm Blue e.....	1706 BTU.....	265
TopTherm Blue e.....	2559 BTU.....	266
TopTherm Blue e.....	3412 BTU.....	267
TopTherm Blue e.....	5118 BTU.....	269
TopTherm Blue e.....	6824 BTU.....	270
TopTherm Blue e.....	8530 BTU.....	271
TopTherm Blue e.....	13649 BTU.....	272
TopTherm Blue e, Slimline .....	5118 BTU.....	273
TopTherm Blue e, UL Type 3R.....	1024 – 1706 BTU.....	274
TopTherm Blue e, UL Type 3R.....	3412 – 5118 BTU.....	275
TopTherm Blue e, UL Type 3R.....	6824 – 7506 BTU.....	276
TopTherm Blue e, NEMA 4X.....	1706 – 5118 BTU.....	277
TopTherm Blue e, NEMA 4X.....	6824 – 8530 BTU.....	278

## Roof-Mounted Cooling Units

TopTherm Blue e.....	1706 BTU.....	279
TopTherm Blue e.....	2559 BTU.....	280
TopTherm Blue e.....	3412 BTU.....	280
TopTherm Blue e.....	3753 – 5118 BTU.....	281
TopTherm Blue e.....	6824 BTU.....	282
TopTherm Blue e.....	10236 – 13649 BTU.....	283

## Modular Climate Control Concept

Blue e Cooling Module.....	5118/8530 BTU.....	284
Section Doors for Installing Cooling Modules .....		285



## “Blue e” Generation

**Continuous energy savings with cooling units from Rittal.**

Saving in energy consumption **up to 45%** with the same cooling output (in ideal conditions, 70% in comparison to a conventional Rittal TopTherm Plus cooling unit in field testing).



# TopTherm Wall-Mounted Cooling Units



Climate control accessories Page 305 Therm software package Page 321

## Temperature control:

- Basic controller (factory setting +35°C)

## Protection category IP to IEC 60 529:

- External circuit IP 34
- Internal circuit IP 54

## Supply includes:

- Nano-coated condenser
- Wired ready for connection (plug-in terminal strip)
- Drilling template
- Assembly components

## Approvals:

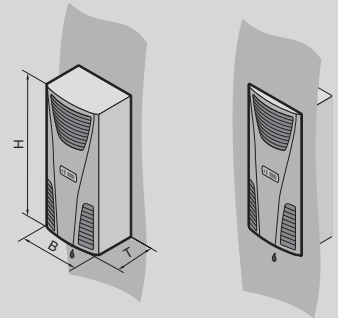
Available on the Internet

## Performance diagrams:

Available on the Internet

## Technical details:

Available on the Internet



## Power category 1024 BTU (300 W)

Model No.	Packs of	3302.100	3302.110	3302.200	Page
Material	Stainless steel	-	-	■	
	Carbon steel	■	■	-	
Color	RAL 7035	■	■	-	
<b>Total cooling output 50 Hz L35 L35 to DIN EN 14511 BTU (kW)</b>		<b>1228 (0.36)</b>	-	<b>1228 (0.36)</b>	
Total cooling output 50/60 Hz L35 L35 BTU (kW)		1228/1297 (0.36/0.38)	1297 (0.38)	1228/1297 (0.36/0.38)	
Total cooling output 50/60 Hz L35 L50 BTU (kW)		717/785 (0.21/0.23)	785 (0.23)	717/785 (0.21/0.23)	
Rated operating voltage V, ~, Hz		230, 1~, 50/60	115, 1~, 60	230, 1~, 50/60	
Height (H) inches (mm)		22 (550)	22 (550)	22 (550)	
Width (B) inches (mm)		11 (280)	11 (280)	11 (280)	
Depth (T) inches (mm)		6 (140)	6 (140)	6 (140)	
Rated current max. A		1.6/1.7	3.3	1.6/1.7	
Start-up current A		3/3.4	8	3/3.4	
Pre-fuse A		10	10	10	
Rated power P <sub>ei</sub> 50/60 Hz L35 L35 kW		0.27/0.28	0.32	0.28/0.29	
Rated power P <sub>ei</sub> 50/60 Hz L35 L50 kW		0.28/0.3	0.37	0.29/0.31	
Operating temperature range		+50°F...+131°F	+50°F...+131°F	+50°F...+131°F	
Setting range		+86°F...+131°F	+86°F...+131°F	+86°F...+131°F	
Energy efficiency ratio (EER) 50 Hz L35 L35 to DIN EN 14511		1.32	1.18	1.3	
Refrigerant oz (g)		R134a, 3.5 (100)	R134a, 3.5 (100)	R134a, 3.5 (100)	
Permissible operating pressure (p. max.) psi (bar)		363 (25)	363 (25)	363 (25)	
Air throughput of fans (unimpeded air flow), internal circuit/external circuit cfm (m <sup>3</sup> /h)		203/182 (345/310)	203/182 (345/310)	203/182 (345/310)	
Weight lb (kg)		28.7 (13.0)	28.7 (13.0)	28.7 (13.0)	
<b>Accessories</b>					
Filter Mats	3 pc(s).	3286.300	3286.300	3286.300	305
Metal Filters	1 pc(s).	3286.310	3286.310	3286.310	306
Door-Operated Switch	1 pc(s).	4127.010	4127.010	4127.010	550
Condensate Hose	1 pc(s).	3301.610	3301.610	3301.610	313